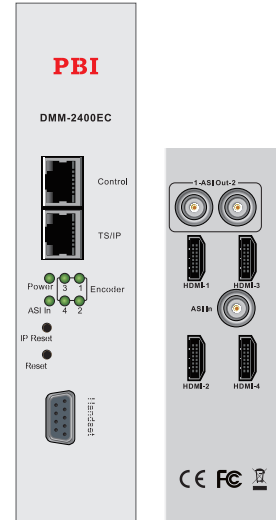


DMM-2400EC/2401EC Series 4-Channel H.264 HD Encoder

- 4 SDI inputs with internal re-multiplexer in one module
- Support H.264 AVC HD Encoding
- Multiple video resolutions including 1080p 1080i, 720p, 576i and 480i
- Support down-scale function without changing frame rate
- Built-in TBC(Time Base Correction), very robust against to input signal intermittence
- Supports 1000 Base-T full duplex TS-over-IP
- Supports VBR and CBR encoding modes
- Remote Control and Supervision by SNMP and HTTP WEB
- Accommodated in 4RU 19" chassis (DMM-1000MF) which supports up to 8 modules and equipped with auto-backup Power Supply module.



Specification

Video Input & Compression		
Video Input	or 4×HD/SD-SDI	
Compression Standard	H.264/AVC HP@L4.0	
Chrominance Space	4:2:0	
Video Encoding Bit Rate	2Mbps~30Mbps	
Video Resolutions & Recommended Video Encoding Bit Rates	1080p (1920x1080) @ 59.94 Hz, 50 Hz SMPTE296M: 6~30Mb/s	
	1080i (1920x1080) @25Hz, 29.97Hz SMPTE274M: 6~24Mb/s	
	1080i (1440x1080@25Hz, 29.97Hz SMPTE274M: 5~24Mb/s	
	720p (1280x720) @50Hz, 59.94Hz SMPTE296M: 4~24Mb/s	
	480i (720x480) @29.97Hz: SMPTE656M: 2~10Mb/s	
	576i (720x576) @25Hz: SMPTE656M: 2~10Mb/s	
	Audio Input & Compression	
	Audio Input	HD/SD-SDI Embedded
	Compression Standard	MPEG1 Layer II Encoding MPEG2 AAC-LC Encoding, MPEG4 AAC-LC Encoding
	Sampling Rate	48KHz
Audio Compression Bit Rate	MPEG1 Layer II: 32~256Kb/s AAC-LC: 128~512Kb/s	
DVB-ASI Input		
Connector Type	1×BNC Female, 75Ω	
Maximal Input Bit Rate	100 Mb/s	

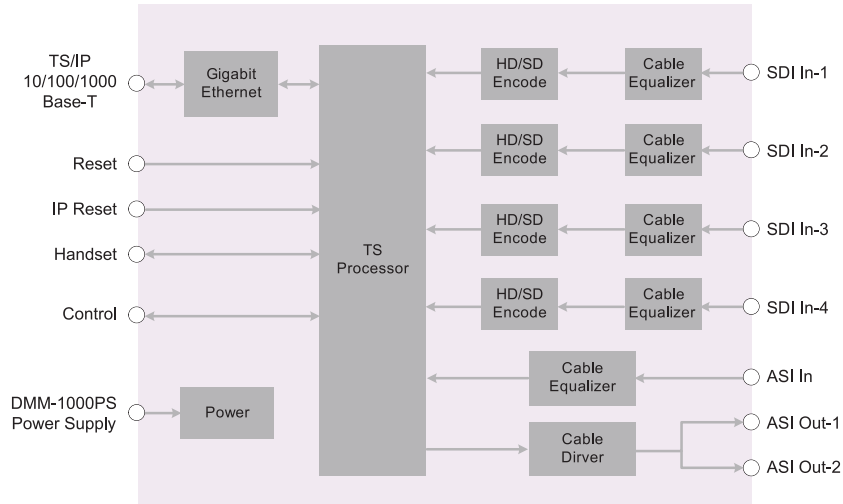
Packet Mode	Byte
Packet Length	188/204 Bytes
Signal Level	200~880mVp-p
DVB-ASI Output	
Connector Type	1×BNC Female, 75Ω
Effectual Output Bit Rate	1.5 Mb/s~70 Mb/s
Packet Mode	Byte
Packet Length	188/204 Bytes
Signal Level	800±80mV
GigE Full Duplex	
GbE Full Duplex	IEEE 802.3, 10/100/1000 Base-T
Maximal Effectual Output Bit Rate	80Mb/s
UDP/RTP	SPTS or MPTS
Protocol	ICMP, ARP, IGMPv2
Control&Monitoring	
Connector Type	1×RJ45, 10/100 Base-T, for equipment Control
Remote Control	SNMP, HTTP(WEB interface)
Local Control	Handheld Programmer Unit
Software Upgrade	Quick upgrade via USB, or FTP loader and Telnet
Physical parameter	
Power supply	DC 3.3V/5V/12V
Power Consumption	20W (Max.)
Operating Temperature	0~45°C
Storage Temperature	-10~60°C
Humidity	10~90%, Non-condensed

Order Information

Interface		Model	DMM-2400EC-S	DMM-2400EC-H	DMM-2401EC-S	DMM-2401EC-H
Video Input	HD/SD SDI		x4		x4	
	HDMI			x4		x4
TS Input	ASI		•	•	•	•
	TS/IP(GbE)		•	•	•	•
TS Output	ASI (1+1)		•	•	•	•
	TS/IP(GbE)		•	•	•	•
Digital Audio	AAC-LC		•	•		

Block Diagram

DMM-2400EC-S Functional Block Diagram



Modular Digital TV Headend DMM-1000